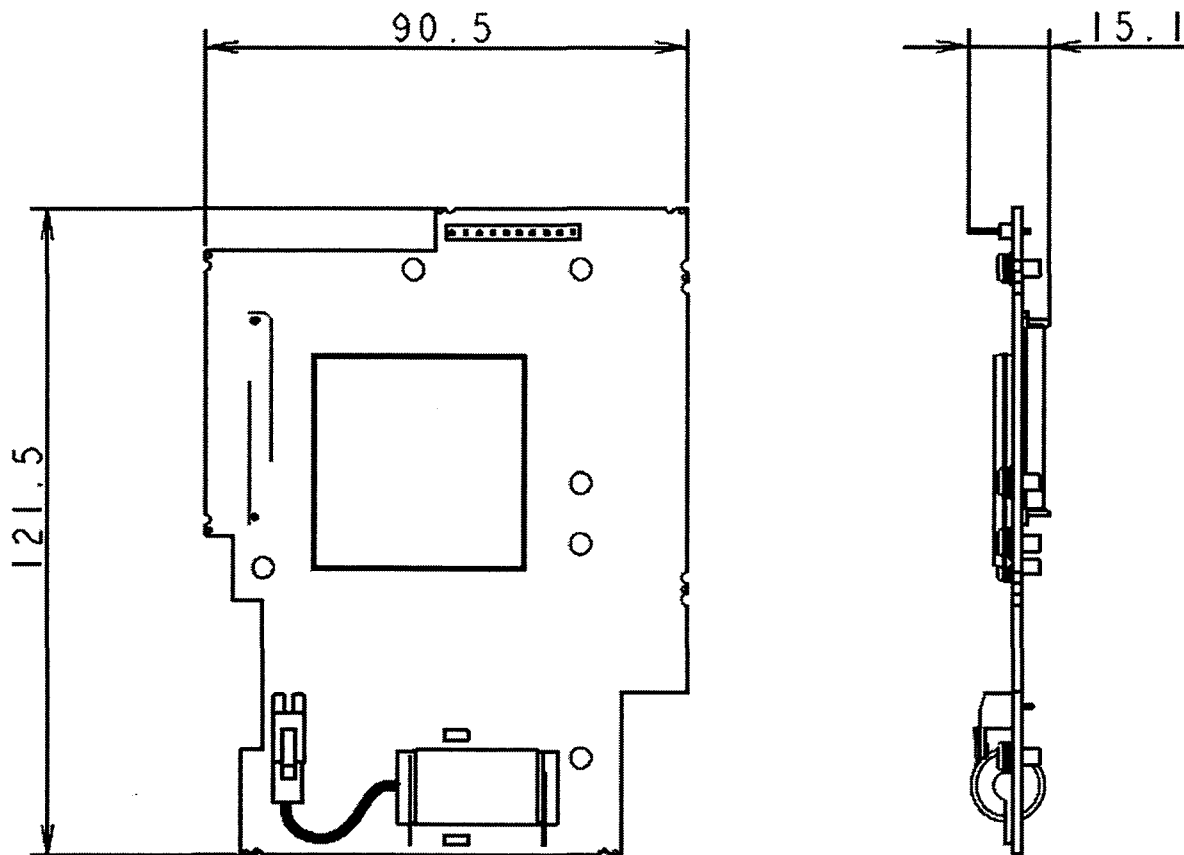


# EXTERNAL DIMENSIONS 外形図

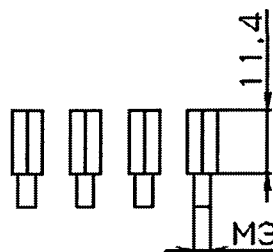
## OPC-VG1-UPAC



SCREW (M3×8)  
ネジ (×2)



HEXAGON SPACER  
六角スペーサ (×4)



DIMENSIONS IN mm

NAME 名称	User Programmable Application Card
TYPE 形式	OPC-VG1-UPAC
Specification No. 仕様書	Si27-5693

a) Revised screw size (M3x6→M3x8).  
 2013-02-01 MK/M. TAKANO/H. Hayashi

REVISIONS

	DATE	NAME	APPROVED	Fuji Electric co., Ltd.		
DRAWN	2012-12-28	MK/M. TAKANO	H. HAYASHI	DWG No.	SA5A0379	1/1
CHECKED	2012-12-28	M. TAKANO				